

Washbasin, mixer and accessories





Washbasin



Functions and advantages

- Legroom under the washbasin, 445 mm
- Compact washbasin for children or confined spaces

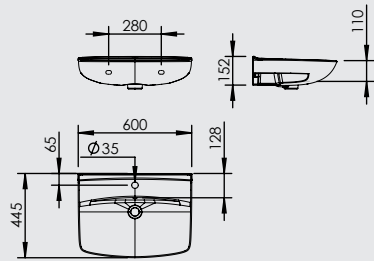
Specifications

Size	600x445 mm
Legroom	445 mm
Design	Porcelain washbasin incl. overflow and bottom drain with plug
Max load, washbasin	100 kg
Installation	Bolt installation, CC 280 mm



Art. no.	Designation
425-011.	Granberg washbasin (425-011)

(mm)



Functions and advantages

- Legroom under the washbasin, 490 mm
- Wheelchair accessible washbasin with shallow bowl and concave front edge

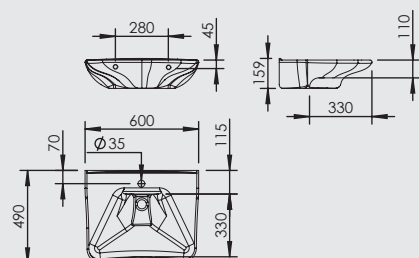
Specifications

Size	600x490 mm
Legroom	490 mm
Design	Porcelain washbasin incl. overflow and bottom drain with plug
Max load, washbasin	100 kg
Installation	Bolt installation, CC 280 mm



Art. no.	Designation
425-001	Granberg washbasin 425-001, with overflow and strainer drain

(mm)



Washbasin



Functions and advantages

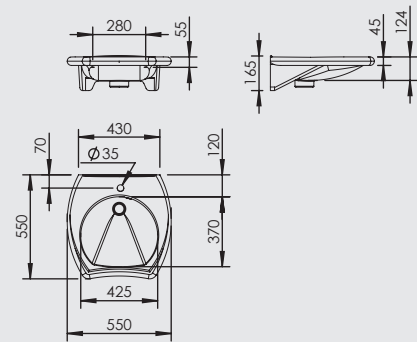
- Legroom under the washbasin, 550 mm
- Wheelchair accessible washbasin with shallow bowl, concave front edge and easy-to-grip sides



Specifications

Size	550x550 mm
Legroom	550 mm
Design	Porcelain washbasin incl. overflow and bottom drain with plug
Max load, washbasin	100 kg
Installation	Bolt installation, CC 280 mm

(mm)



Art. no.	Designation
----------	-------------

425-003.	Granberg washbasin (425-003)
----------	------------------------------

Functions and advantages

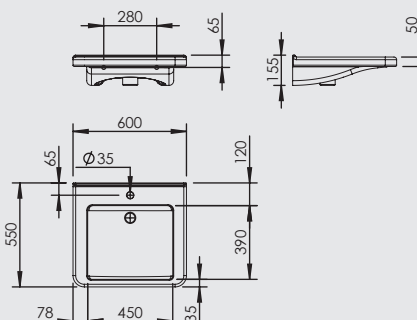
- Legroom under the washbasin, 550 mm
- Wheelchair accessible washbasin with shallow bowl, generous flat surfaces and easy-to-grip sides



Specifications

Size	600x550 mm
Legroom	550 mm
Design	Porcelain washbasin incl. overflow and bottom drain with plug
Max load, washbasin	100 kg
Installation	Bolt installation, CC 280 mm

(mm)



Art. no.	Designation
----------	-------------

425-010.	Granberg washbasin (425-010)
----------	------------------------------

Washbasin



Functions and advantages

- Legroom under the washbasin, 550 mm
- Wheelchair accessible washbasin with shallow bowl and integrated gripping slots

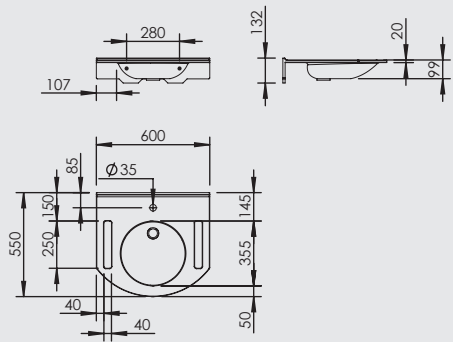
Specifications

Size	600x550 mm
Legroom	550 mm
Design	Wash basin of solid surface material with integrated grab handles, excl. overflow
Max load, washbasin	150 kg
Installation	Bolt installation, CC 280 mm



Art. no.	Designation
425-015.	Granberg washbasin (425-015)

(mm)





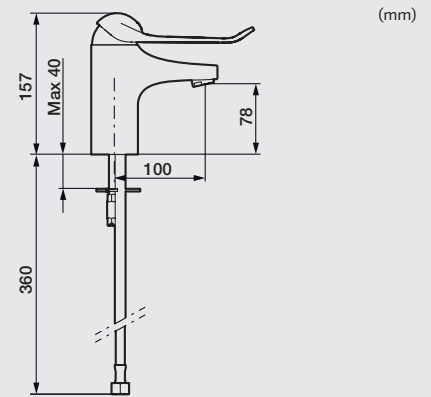
Functions and advantages

- Easily accessible lever, length 150 mm

Specifications

Lever	150 mm
Spout projection	100 mm
Connection pipe	Soft PEX pipe, length 360 mm
Hole size	Ø 33.5–37 mm
Other	Cold start feature Soft action ceramic shut-off Built-in, easily adjustable flow control and temperature limiter

Art. no.	Designation
425-105.	Basin mixer Granberg 425-105 - 150 mm lever



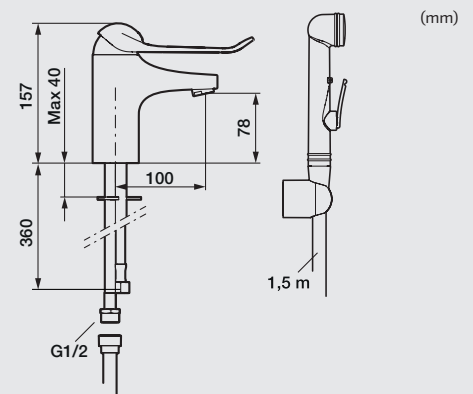
Functions and advantages

- Easily accessible lever, length 150 mm
- Self-closing hand shower

Specifications

Lever	150 mm
Spout projection	100 mm
Length of hose, hand shower	1500 mm
Connection pipe	Soft PEX pipe, length 350 mm
Hole size	Ø 33.5–37 mm
Other	Cold start feature Soft action ceramic shut-off Built-in, easily adjustable flow control and temperature limiter

Art. no.	Designation
425-106.	Basin mixer Granberg 425-106 - 150 mm lever with self-closing hand shower





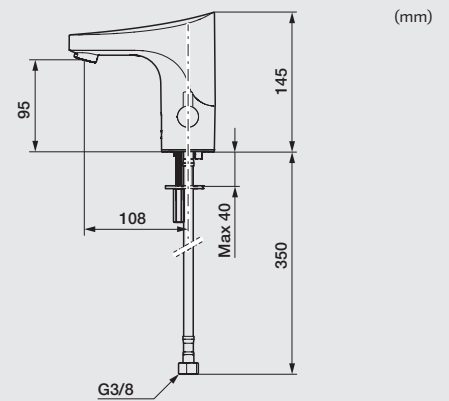
Functions and advantages

- Touch-free, easy to use

Specifications

Lever	150 mm
Spout projection	108 mm
Connection pipe	Soft PEX pipe, length 350 mm
Hole size	Ø 33.5–37 mm
Other	The temperature is set at the side of the mixer Low power consumption – long life Battery included

Art. no.	Designation
425-110.	Basin mixer Granberg 425-110 - Touch free





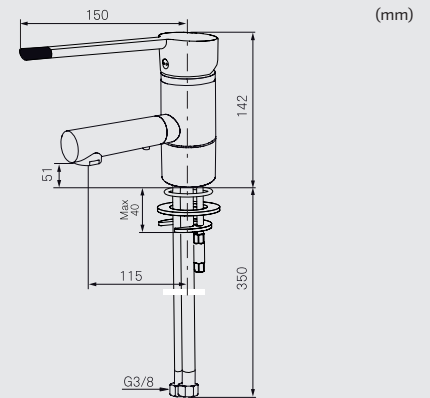
Functions and advantages

- Easily accessible lever, length 150 mm
- Swivel spout 110°

Specifications

Lever	150 mm
Spout projection	115 mm
Swivel spout	110°
Connection pipe	Soft PEX pipe, length 350 mm
Hole size	Ø 28-37 mm
Other	Soft-close action with ceramic seal Adjustable flow and temperature limiters

Art. no.	Designation
425-107.	Basin mixer Granberg 425-107 - 150 mm Lever





Specifications

Length	500 mm
Connection	R10 3/8"

Art. no.	Designation
425-311.	Water hoses, 2 pack



Specifications

Length	315 to 815 mm (spring-loaded)
Connection	Collar 40 mm. Rubber nipple 50-40 mm included

Art. no.	Designation
425-331.	Flexible drain hose with drainage trap

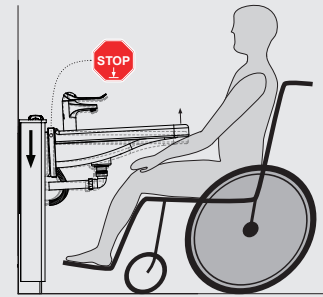
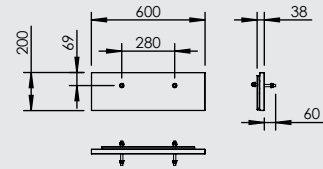
Safety system



Specifications

Function	Thanks to the safety switch, the basin will stop lowering if it comes into contact with any obstacle or the user's legs. Suitable for washbasins with 280 mm centre-to-centre bolt installation.
Installation	Installed between the back panel and wash basin

(mm)



Art. no.	Designation
425-401.	Safety switch to Designline 417 and Basicline 433, bolt attachment centre-to-centre 280 mm
425-403	Safety switch for Basicline 415 washbasin, bolt attachment, centre-to-centre 280 mm

Control buttons



Cable Hand Control

Dimensions: 170 x 63 x 27 mm

425-410



Radio Control - Hand Control

Dimensions: 110 x 38 x 10 mm

61385